

# ebm-40 Pump



*When you need a pump that lasts...*

For years recognised by the trade as the “Best evap-cooler pump on the market”, ebm-40 is once again available for the coming summer.

This “bullet proof” pump has been working all over Australia in the harshest climates with the worst waters, and the hottest temperatures, outlasting the opposition by years.

Still with the legendry **ebm-papst** 2 year warranty.

Your customers want quality, why waste your time and reputation with inferior products?

The engineers choice.

**ebmpapst**

# Evaporative Cooler Pumps

Powered by the ebm-papst external rotor motor that quickly gained a reputation as being the most reliable trouble free motor to power an evaporative cooler pump.

The external rotor motor with its well sealed spinning rotor deflects water ensuring trouble free operation.

A stainless steel shaft, and automatic thermal overload and the use of lubricated for life ball bearings make the **ebm-papst** range the premium pumps in the industry today.

The pump is manufactured from high quality ABS plastics with the same attention to detail and emphasis on quality as the motor which drives it.

Designed for replacement of standard pumps in existing evaporative coolers, where premium quality and longer life is preferred.

## Special Features

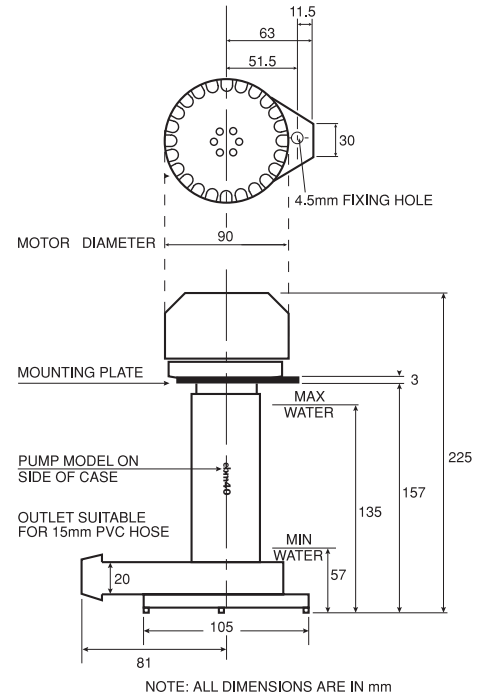
- External Rotor Motor.
- High starting torque – more reliable starting after long “off” period – less service calls.
- Spinning Rotor deflects water away from motor for longer life.
- Moisture protected windings for longer life.
- Low noise, for increased customer satisfaction.
- Constant speed giving constant water flow.
- Inbuilt auto reset thermal contacts.
- Ball bearings – double shielded against moisture ingress for longer life.
- Stainless steel shaft – corrosion free.
- Speed controllable – to match required duty.
- Open shaft seal – can be run dry without damage.
- Stay Clean impeller – specifically designed to operate under the harshest Australian conditions.
- ABS pump housing & impeller – corrosion free.
- Discharge spigot – to suit 15mm hose.
- Low draft – requires minimum of only 57mm water depth.
- In built suction spacers – to ensure free flow into pump inlet.
- Single point mounting – for easy mounting and quick replacement.
- 2 Year Warranty.

## Technical Data

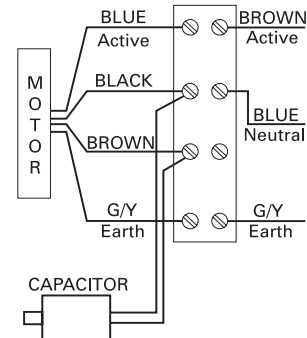
Model	Power Supply	Watts	Speed RPM	Flow L/m 1m Head	Capacitor	Lead	Bearings	Nominal Evaporative Cooler Capacity		
								CFM	l/s	m <sup>3</sup> /h
ebm40	240/50	38	2700	35	1µf	1100	Ball	9300	4375	15750

Based on 1 l/min water per 125l/s of air @ 1m head. This is nominal only and varies by location and filter material.

## Dimensions



## Wiring Diagram



This brochure designs data & specification and the copyright herein are the property of ebm-papst A&NZ Pty Ltd and must not be used, reproduced or copied wholly or in part without the written permission of ebm-papst A&NZ Pty Ltd. We reserve the right to change the designs or dimensions of any products within this catalogue without prior notice. E.&.O.E 08/06

AU Tel: +61 3 9360 6400  
 NZ Tel: +64 9837 1884  
 Email: sales@ebmpapst.com.au

www.ebmpapst.com.au  
 www.ebmpapst.com.nz

**ebmpapst**