

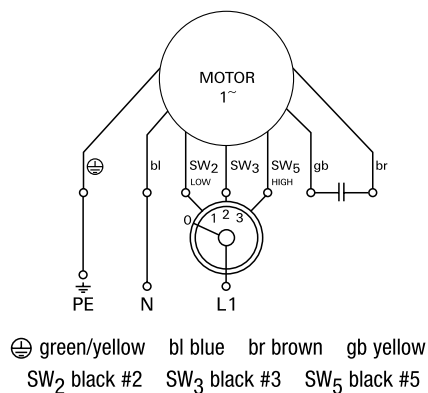
AC – Wiring Connection Diagrams – speed variable

AC WD 2

The following connection diagrams cover some of the more specialized motors:

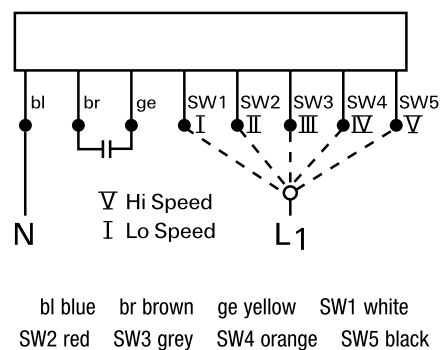
ebm 5

Single phase 3 Speed

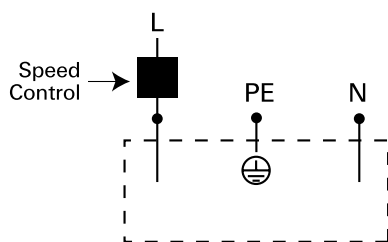


ebm 6

Single phase 5 Speed



Single phase speed control



Speed controllers for single phase motors should be installed in the active line in series with the motor.

NOTES

- BE CAREFUL - always check the data on the motor, if in doubt ask your local ebm-papst local office.
- All connection leads brought out by ebm-papst are “internal leads” as defined by EN 60335-1.
- “PE” = Earth